

1-305183-1 ✓ ACTIVE

AMP | AMP Type II, AMP Type III+

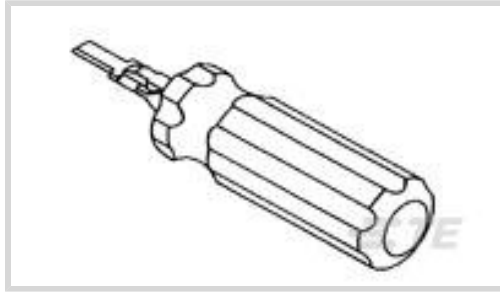
TE Internal #: 1-305183-1

Insertion & Extraction Tools, Contact Extraction, Contact-to-Housing, AMP Type III+

[View on TE.com >](#)



Application Tooling > Insertion & Extraction Tools



Insertion & Extraction Tool Type: **Contact Extraction**

Insertion & Extraction Tool Application: **Contact-to-Housing**

Features

Product Type Features

Insertion & Extraction Tool Type	Contact Extraction
Insertion & Extraction Tool Application	Contact-to-Housing

Product Compliance

[For compliance documentation, visit the product page on TE.com>](#)

EU RoHS Directive 2011/65/EU	Out of Scope
EU ELV Directive 2000/53/EC	Out of Scope
China RoHS 2 Directive MIIT Order No 32, 2016	Not reviewed for China RoHS compliance
EU REACH Regulation (EC) No. 1907/2006	Current ECHA Candidate List: JUNE 2022 (224) Candidate List Declared Against: JUL 2021 (219) Does not contain REACH SVHC
Halogen Content	Not Yet Reviewed for halogen content
Solder Process Capability	Not applicable for solder process capability

Product Compliance Disclaimer

This information is provided based on reasonable inquiry of our suppliers and represents our current actual knowledge based on the information they provided. This information is subject to change. The part numbers that TE has identified as EU RoHS compliant have a maximum concentration of 0.1% by weight in homogenous materials for lead, hexavalent chromium, mercury, PBB, PBDE, DBP, BBP, DEHP, DIBP, and 0.01% for cadmium, or qualify for an exemption to these limits as defined in the Annexes of Directive 2011/65/EU (RoHS2). Finished electrical and electronic equipment products will be CE marked as required by Directive 2011/65/EU. Components may not be CE marked. Additionally, the part numbers that TE has identified as EU ELV compliant have a maximum concentration of 0.1% by weight in homogenous materials for lead, hexavalent chromium, and mercury, and 0.01% for cadmium, or qualify for an exemption to these limits as defined in the Annexes of Directive 2000/53/EC (ELV). Regarding the REACH Regulation, the information TE provides on SVHC in articles for this part number is based on the latest European Chemicals Agency (ECHA) 'Guidance on requirements for substances in articles' posted at this URL: <https://echa.europa.eu/guidance-documents/guidance-on-reach>

Compatible Parts



TE Part # CAT-AM71-T98E
Pin and Socket Contacts, Type III, LP



TE Part # CAT-AM71-T98A
Strip Pin and Socket Contacts, Type III, LP



TE Part # CAT-AM71-T98B
Strip Pin and Socket Contacts, Type III



TE Part # 193846-1
SKT ASSY.



TE Part # 66103-2
III+ PIN,24-20,TIN-LEAD,LP



TE Part # 66102-7
III+ PIN,24-20,TIN-LEAD,STRIP



TE Part # 66359-6
III+ PIN,18-14,TIN-LEAD,STRIP



TE Part # 66332-5
III+ PIN,24-20,TIN-LEAD,STRIP



TE Part # 66098-7
III+ PIN,18-16,TIN-LEAD,STRIP



TE Part # 193534-1
PIN ASSY, POWER ,12-14 AWG



TE Part # 66099-2
III+ PIN,18-16,TIN-LEAD,LP



TE Part # 66361-2
III+ PIN,18-14,TIN-LEAD,LP



TE Part # 66400-1
III+ PIN,24-20,TIN-LEAD,LP



TE Part # 66471-7
PIN,.062 DIA,.045 SQ POST,LP



TE Part # 194264-1
PIN ASSY,SIZE 16 SOLDER TAIL



TE Part # 66107-2
III+ PIN,26-24,TIN-LEAD,LP



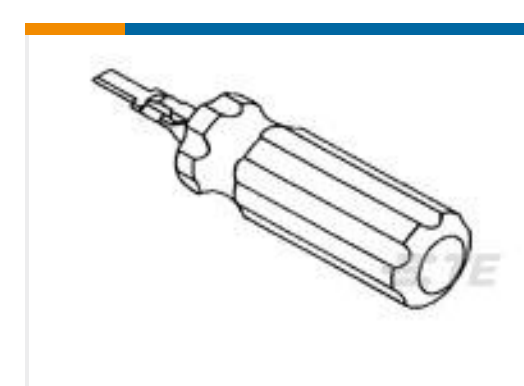
TE Part # 66471-1
PIN,.062 DIA,.045 SQ POST,LP



TE Part # 66471-3
PIN,.062 DIA,.045 SQ POST,LP



TE Part # 66471-9
PIN,.062 DIA,.045 SQ POST,LP

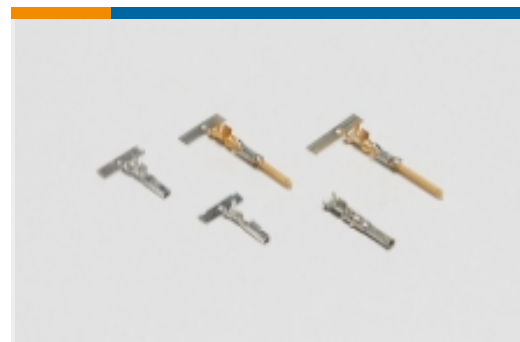


TE Part # 1-305183-2
EXTRACT TOOL MATE-N-LOK SKT

Also in the Series | **AMP Type II**



Insertion & Extraction Tools(4)

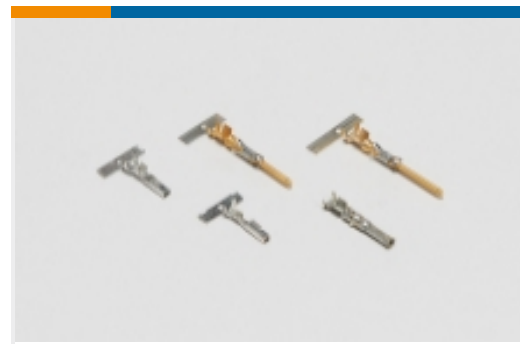


Power Contacts(35)

Also in the Series | AMP Type III+



Insertion & Extraction Tools(4)



Power Contacts(410)

Documents

Instruction Sheets

[Instruction Sheet \(U.S.\)](#)

English

Agency Approvals

[CSA Certificate](#)

English